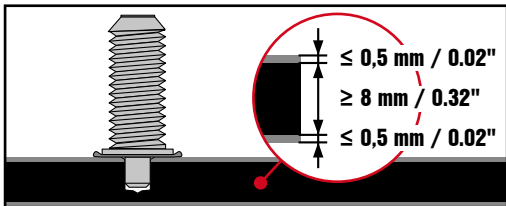
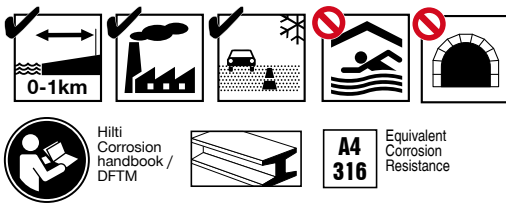
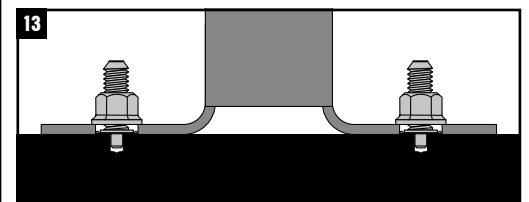
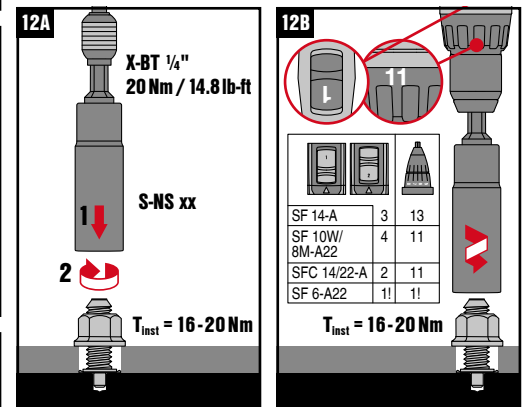
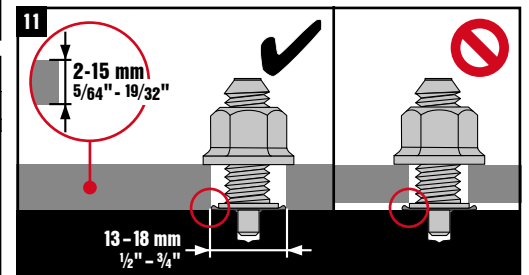
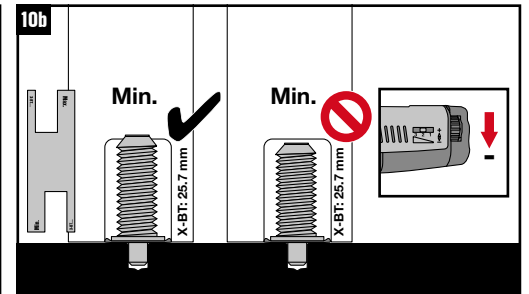
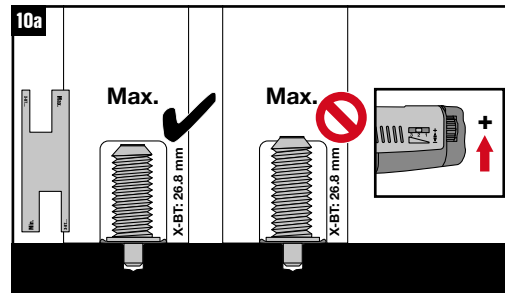
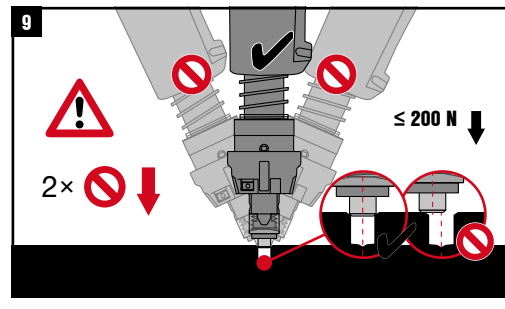
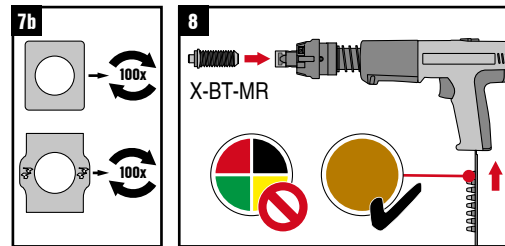
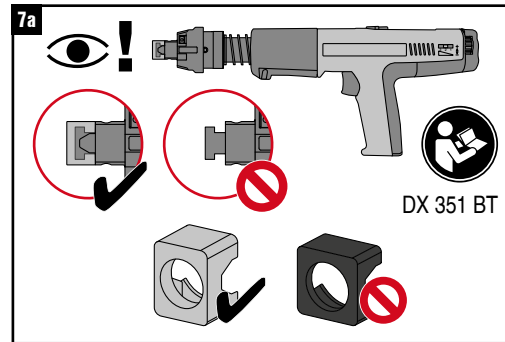
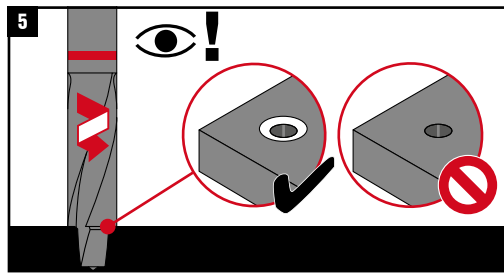
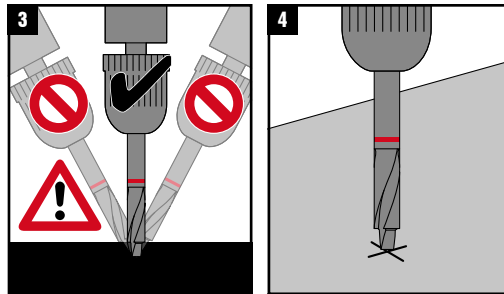
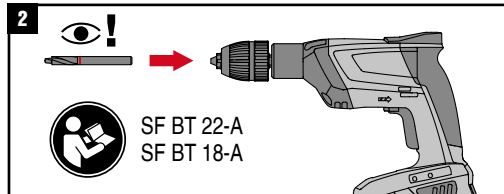
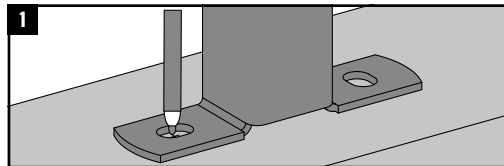
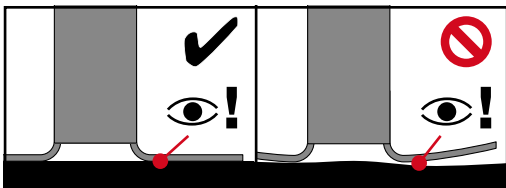


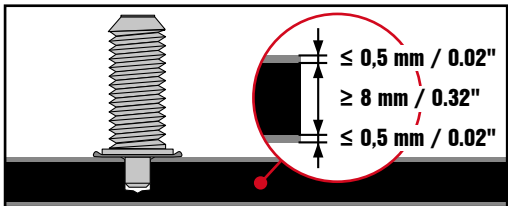
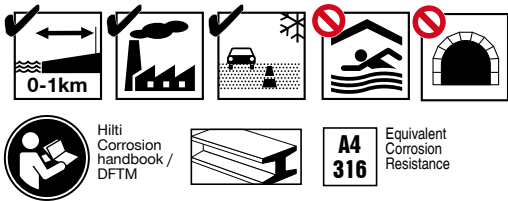
CE
21
Hilti AG FL-9494 Schaan
Hilti-DX-DoP-008
ETA-20/1042
EAD 333037-00-0602
0672
Threaded studs for connection
of materials to structural steel



		Use with			
X-BT-MR M10/W10 SN 8	✓	SF BT 22-A SF BT 18-A	DX 351-BT	X-BT 1/4" - 20Nm/14.8 ft lb	S-NS15 C 95/3 3/4
X-BT-MR W10/W15 SN 8					S-NS15 C 95/3 3/4



CE
21
Hilti AG FL-9494 Schaan
Hilti-DX-DoP-008
ETA-20/1042
EAD 333037-00-0602
0672
Threaded studs for connection
of materials to structural steel



		Use with			
X-BT-MR M10/15 SN 8	✓	SF BT 22-A SF BT 18-A	BX 3-BT	X-BT 1/4" - 20Nm/ 14,8 ft lb	S-NS15 C 95/3 3/4"
X-BT-MR W10/15 SN 8					S-NS 9/16 C 95/3 3/4"

