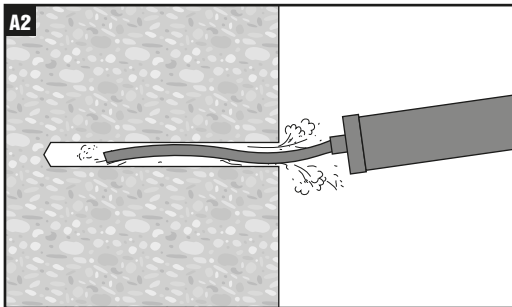
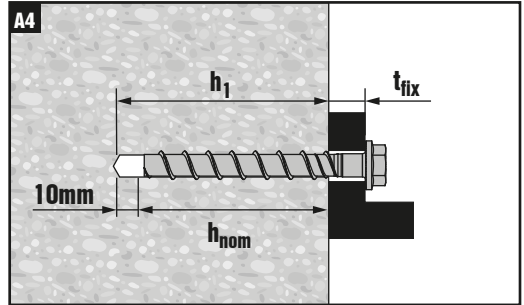
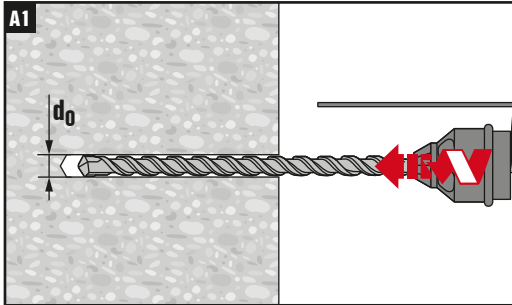


			d_0
SIW 22T-A			$\varnothing 14 \text{ mm}$



A5

	h_{nom1}	h_{nom2}	h_{nom3}
HUS3-H 14	$\approx 65 \text{ mm}$	$\approx 85 \text{ mm}$	$\approx 115 \text{ mm}$
	t_{fix1}	t_{fix2}	t_{fix3}
14x75	10 mm	-	-
14x100	35 mm	15 mm	-
14x130	65 mm	45 mm	15 mm
14x150	85 mm	65 mm	35 mm

