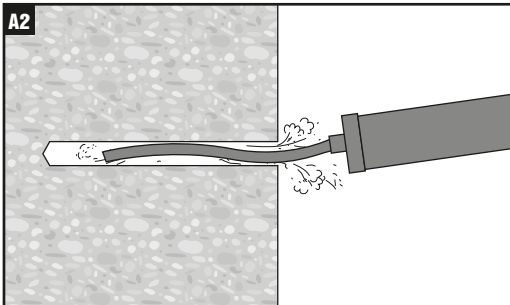
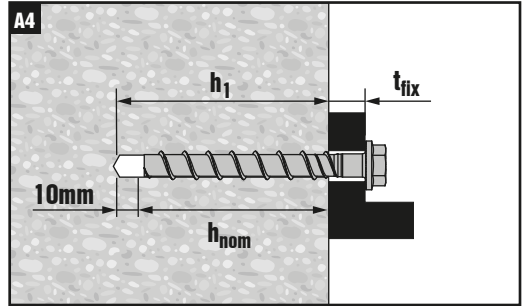
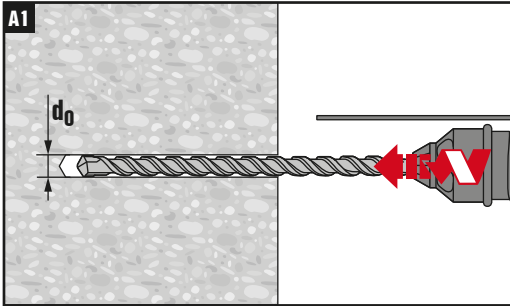


			d_0
	SIW 22T-A SIW 22-A		$\varnothing 8 \text{ mm}$



A5

	h_{nom1} =50mm	h_{nom2} =65mm
HUS2-H 8	t_{fix1}	t_{fix2}
8x55	5 mm	-
8x75	25mm	10 mm
8x85	35 mm	20 mm
8x95	45 mm	30 mm

