

## The large pipe clamp with sound insulation insert for medium to heavy loads

2a

Pipe clamps



Heavy pipe on cantilever



Heavy drainage pipe under angle bracket

### APPLICATIONS

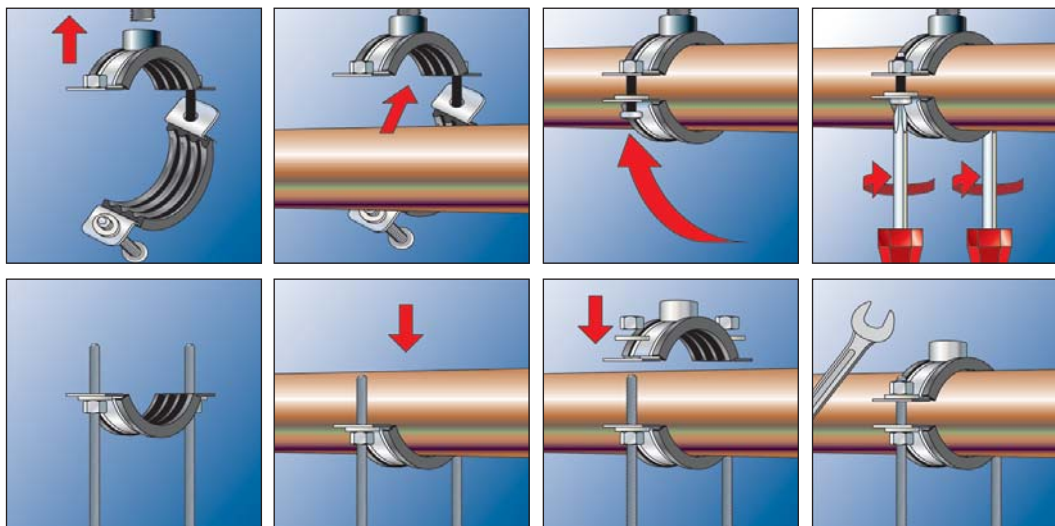
- Fixing of medium to heavy pipes with threaded rods (hanger bolts)

### ADVANTAGES/BENEFITS

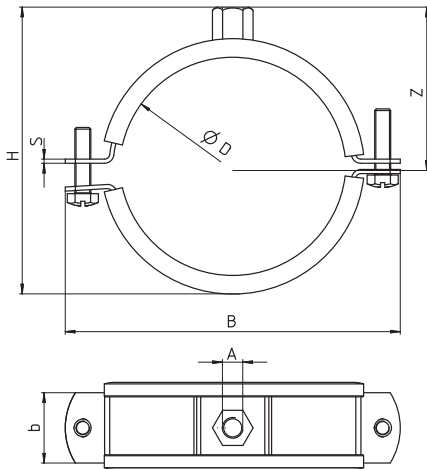
- High tested loads guarantee safe functioning of the FRSM.
- The combination connecting nut with thread M10/M12, M12/M16 or M16 allows for optimised mounting choices.
- From  $\varnothing$  124 mm it is possible to install with 2 threaded rods, e.g. for the fixing of cast iron roof drainage pipes.
- The two screws allow for easy adjustment to suit the outer pipe diameter.
- The screw's safety features ensures trouble-free installation.

### PROPERTIES

- **Material:** steel DD11 (material no. 1.0332) acc. to DIN EN 10111
- **Zinc plating:** electro zinc-plated, 5 - 9  $\mu$ m
- **Connecting nut:** M10 / M12 = SW 17, M12 / M16 = SW 22, M16 = SW 24
- **Locking screw:** flat head screw with combination recessed head to 4", from 4" hexagon screw with nut
- **Material sound insulation insert:** EPDM; chlorine-free; silicone-free
- **Temperature range:** -50 °C to +110 °C
- **Hardness:** 45  $\pm$  5° Shore A
- **Fire behaviour:** DIN 4102: Class B2



## TECHNICAL DATA



Item	Art.-No.	Thread	Size	Clamping range	Width B	Height H	Width x thickness clamp band	Height Z	Locking screw	Max. recom. static load (centr. tension) N <sub>recom.</sub> [kN]	Sales unit [pcs]
		A	[inch]	D [mm]	B [mm]	H [mm]	b x s [mm]	Z [mm]			
FRSM 1/2" M10/M12	504589	M 10 / M 12	1/2"	19 - 23	76	57	25 x 2.5	39	M 6	2.50	50
FRSM 3/4" M10/M12	504590	M 10 / M 12	3/4"	24 - 29	80	63	25 x 2.5	42	M 6	2.50	50
FRSM 1" M10/M12	504591	M 10 / M 12	1"	33 - 36	89	70	25 x 2.5	45	M 6	2.50	50
FRSM 1 1/4" M10/M12	504592	M 10 / M 12	1 1/4"	40 - 45	98	79	25 x 2.5	50	M 6	2.50	20
FRSM 1 1/2" M10/M12	093700	M 10 / M 12	1 1/2"	47 - 52	105	86	25 x 2.5	53	M 6	2.50	20
FRSM 53 - 58 M10/M12	093701	M 10 / M 12	—	53 - 58	111	91	25 x 2.5	55	M 6	2.50	20
FRSM 2" M10/M12	093702	M 10 / M 12	2"	60 - 65	118	99	25 x 2.5	60	M 6	2.50	20
FRSM 2 1/2" M10/M12	093703	M 10 / M 12	2 1/2"	73 - 78	136	113	30 x 3,0	67	M 8	3.00	20
FRSM 79 - 85 M10/M12	504593	M 10 / M 12	—	79 - 85	144	120	30 x 3,0	70	M 8	3.00	20
FRSM 3" M10/M12	093704	M 10 / M 12	3"	88 - 93	152	129	30 x 3,0	75	M 8	3.00	20
FRSM 102 M10/M12	093705	M 10 / M 12	—	100 - 106	166	142	30 x 3,0	81	M 8	3.00	20
FRSM 4" M10/M12	093707	M 10 / M 12	4"	108 - 116	175	152	30 x 3,0	86	M 8	3.00	20
FRSM 124 - 129 M10/M12	093709 1)	M 10 / M 12	—	124 - 129	194	165	30 x 3,0	92	M 8	3.00	20
FRSM 133 M10/M12	093710 1)	M 10 / M 12	—	131 - 137	202	173	30 x 3,0	97	M 8	3.00	20
FRSM 5" M10/M12	093711 1)	M 10 / M 12	5"	138 - 145	210	180	30 x 3,0	100	M 8	3.00	20
FRSM 160 M10/M12	093712 1)	M 10 / M 12	—	156 - 162	227	198	30 x 3,0	109	M 8	3.00	20
FRSM 6" M10/M12	093713 1)	M 10 / M 12	6"	165 - 171	255	207	30 x 3,0	114	M 8	3.00	20
FRSM 7" M10/M12	093714 1)	M 10 / M 12	7"	188 - 194	278	230	30 x 3,0	125	M 8	3.00	10
FRSM 200 M10/M12	093715 1)	M 10 / M 12	—	196 - 203	287	239	30 x 3,0	130	M 8	3.00	10
FRSM 212 M12/M16	505453 1)	M 12 / M 16	—	205 - 214	289	264	40 x 4,0	147	M 12	5.00	10
FRSM 8" M12/M16	505454 1)	M 12 / M 16	8"	219 - 225	300	272	40 x 4,0	152	M 12	5.00	10
FRSM 250 M12/M16	505455 1)	M 12 / M 16	—	244 - 250	325	300	40 x 4,0	165	M 12	5.00	10
FRSM 10" M12/M16	505456 1)	M 12 / M 16	10"	267 - 273	348	323	40 x 4,0	177	M 12	5.00	10
FRSM 300 M12/M16	505457 1)	M 12 / M 16	—	297 - 304	379	354	40 x 4,0	192	M 12	5.00	10
FRSM 12" M12/M16	505458 1)	M 12 / M 16	12"	320 - 328	403	378	40 x 4,0	204	M 12	5.00	10
FRSM 348 - 356 M16	504594 1)	M 16	—	348 - 356	480	403	50 x 5,0	213	M 16	8.00	1
FRSM 364 - 372 M16	504595 1)	M 16	—	364 - 372	496	419	50 x 5,0	221	M 16	8.00	1
FRSM 400 - 409 M16	504596 1)	M 16	—	400 - 409	533	456	50 x 5,0	240	M 16	8.00	1
FRSM 454 - 462 M16	504597 1)	M 16	—	454 - 462	586	509	50 x 5,0	266	M 16	8.00	1
FRSM 500 - 508 M16	504598 1)	M 16	—	500 - 508	632	555	50 x 5,0	290	M 16	8.00	1

1) From diameter 124 mm the steel band is punched and delivered with separate locking screw and nut.