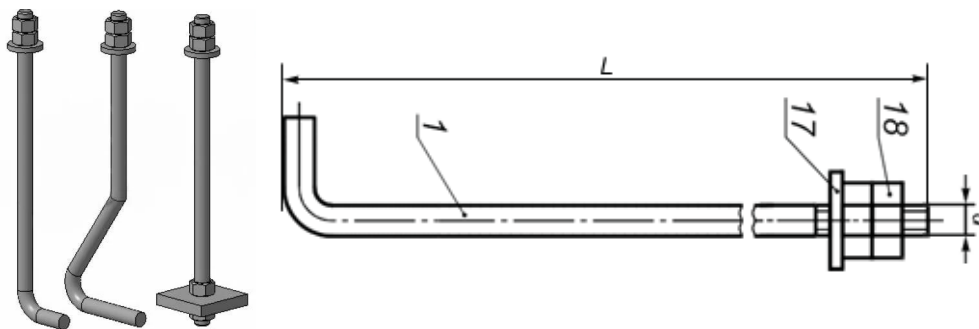


## ГОСТ 24379.1—2012 Тип 1 Болты фундаментные изогнутые

Фундаментальный болт – это стальной прут с резьбой, на конце которого расположенный шайбы и гайки для крепления.



| Номинальный диаметр резьбы $d$ | Шаг резьбы |        | $d^*_1$ | $d_2$                 | $d_3$  | $d_4$  | $d_5$    | $d_6$           | $l_0$ | $l$ | $l_1$ | $l_2$    | $l_3$           | $l_4$ | $l_5$ | $l_6$ |    |
|--------------------------------|------------|--------|---------|-----------------------|--------|--------|----------|-----------------|-------|-----|-------|----------|-----------------|-------|-------|-------|----|
|                                | крупный    | мелкий |         | Предельное отклонение |        |        |          |                 |       |     |       |          |                 |       |       |       |    |
|                                |            |        |         | по h16                | по H15 | по h16 | по +IT17 | IT17 по $\pm 2$ |       |     |       | по +IT17 | IT17 по $\pm 2$ |       |       |       |    |
| 12                             | 1,75       | —      | 12      | —                     | —      | —      | 17       | 20              | 80    | 40  | 100   | 50       | 25              | 24    | —     | —     |    |
| 16                             | 2          |        | 16      |                       |        |        | —        | 22              | 26    | 90  | 50    | 130      | 60              | 30    |       |       | 32 |
| 20                             | 2,5        |        | 20      |                       |        |        | —        | 28              | 32    | 100 | 60    | 160      | 80              | 40    |       |       | 40 |
| 24                             | 3          |        | 24      |                       |        |        | 5        | 34              | 39    | 110 | 75    | 200      | 100             | 50    |       |       | 48 |
| 30                             | 3,5        |        | 30      |                       |        |        |          | 42              | 48    | 120 | 90    | 250      | 120             | 60    |       |       | 60 |
| 36                             | 4          |        | 36      |                       |        |        | 8        | 50              | 58    | 130 | 110   | 300      | 140             | 70    |       |       | 73 |
| 42                             | 4,5        |        | 42      |                       |        |        |          | 58              | 68    | 140 | 125   | 350      | 170             | 85    |       |       | 85 |
| 48                             | 5          |        | 48      |                       |        |        | 68       | 77              | 150   | 150 | 400   | 200      | 100             | 98    |       |       |    |
| 56                             | 5,5        |        | 60      |                       |        |        | 56       | 47,8            | 12    | 160 | 400   | 180      |                 |       |       |       |    |
| 64                             | 6          |        | 70      |                       |        |        | 64       | 55              | 16    | 170 | 500   | 190      |                 |       |       |       |    |
| 72                             | —          | 6      | 75      | 72                    | 63     | 20     | 180      | 200             |       |     |       |          |                 |       |       |       |    |
| 80                             |            |        | 85      | 80                    | 71     |        | 190      | 600             | 220   |     |       |          |                 |       |       |       |    |
| 90                             |            |        | 95      | 90                    | 81     | —      | —        | 210             | —     | —   | —     | —        | 800             | 230   |       |       |    |
| 100                            |            |        | 105     | 100                   | 91     | 25     | 230      | 250             | 270   |     |       |          |                 |       |       |       |    |
| 110                            |            |        | 120     | 110                   | 101    |        | 240      | 1000            | 260   |     |       |          |                 |       |       |       |    |
| 125                            |            |        | 130     | 125                   | 116    | 30     | 250      | 270             |       |     |       |          |                 |       |       |       |    |
| 140                            |            |        | 145     | 140                   | —      | —      | 270      | 280             |       |     |       |          |                 |       |       |       |    |

# ГОСТ 24379.1—2012

Окончание таблицы 2

Размеры в миллиметрах

| Номинальный диаметр резьбы <i>d</i> | Шаг резьбы |        | <i>l</i> <sub>7</sub> | <i>l</i> <sub>8</sub> | <i>l</i> <sub>9</sub> | <i>l</i> <sub>10</sub> | <i>l</i> <sub>11</sub> | <i>l</i> <sub>12</sub> | <i>S</i>       | <i>H</i>          | <i>h</i> | <i>c</i> | <i>c</i> <sub>1</sub> | <i>R</i> | <i>r</i> |    |    |     |
|-------------------------------------|------------|--------|-----------------------|-----------------------|-----------------------|------------------------|------------------------|------------------------|----------------|-------------------|----------|----------|-----------------------|----------|----------|----|----|-----|
|                                     | крупный    | мелкий | Предельное отклонение |                       |                       |                        |                        |                        |                |                   |          |          |                       |          |          |    |    |     |
|                                     |            |        | IT17<br>по ±<br>2     |                       |                       |                        |                        |                        | по <i>h</i> 15 | IT17<br>по ±<br>2 |          |          |                       |          |          |    |    |     |
| 12                                  | 1,75       | —      | —                     | —                     | —                     | —                      | 30                     | 20                     | —              | —                 | —        | —        | 6                     | 12       | 8        |    |    |     |
| 16                                  | 2          |        |                       |                       |                       |                        | 36                     | 28                     |                |                   |          |          | 9                     | 16       | 10       |    |    |     |
| 20                                  | 2,5        |        |                       |                       |                       |                        | 48                     | 34                     |                |                   |          |          | 9                     | 20       |          |    |    |     |
| 24                                  | 3          |        | 7                     | 65                    | —                     | —                      | 60                     | 41                     | 17             | 16                | —        | 9        | 11                    | 24       | 20       |    |    |     |
| 30                                  | 3,5        |        |                       | 75                    |                       |                        | 73                     | 50                     | 19             |                   |          | 14       | 30                    |          |          |    |    |     |
| 36                                  | 4          |        | 10                    | 90                    | —                     | —                      | 85                     | 63                     | 24             | 20                | —        | 12       | 17                    | 36       | 30       |    |    |     |
| 42                                  | 4,5        |        |                       | 100                   |                       |                        | 95                     | 71                     | 27             |                   |          | 15       | 20                    | 42       |          |    |    |     |
| 48                                  | 5          |        | 12                    | 115                   | 120                   | 180                    | 120                    | 82                     | 32             | 25                | —        | —        | 18                    | 22       | 48       | 40 |    |     |
| 56                                  | 5,5        |        | 16                    | 130                   |                       |                        |                        |                        |                |                   |          |          | 135                   | 200      | 41       | 30 | 25 | 20  |
| 64                                  | 6          |        | 20                    | —                     | 150                   | 155                    | 240                    | —                      | —              | —                 | —        | —        | —                     | —        | —        | —  |    |     |
| 72                                  | —          | 6      |                       |                       | 25                    |                        |                        |                        |                |                   |          |          |                       |          |          |    | —  | 200 |
| 80                                  |            |        | 180                   | 280                   |                       | 65                     | 35                     |                        |                |                   |          |          |                       |          |          |    |    |     |
| 90                                  |            |        | 200                   | 300                   |                       | 75                     | 40                     |                        |                |                   |          |          |                       |          |          |    |    |     |
| 100                                 |            |        | 220                   | 340                   |                       | 85                     | 45                     |                        |                |                   |          |          |                       |          |          |    |    |     |
| 110                                 |            |        | 240                   | 370                   |                       | 95                     | 50                     |                        |                |                   |          |          |                       |          |          |    |    |     |
| 125                                 |            |        | —                     | —                     |                       | —                      | 55                     |                        |                |                   |          |          |                       |          |          |    |    |     |
| 140                                 |            |        | —                     | —                     |                       | —                      | —                      |                        |                |                   |          |          |                       |          |          |    |    |     |